



DUCTED SPLIT SYSTEMS

ISD-Y/OSA Systems c/w UC7 Controller

CLIENT WIRING

Control Type	Drawing No. (click links)
SAT-2	(A) 291-000-053
TZT-100	(B) 291-000-054
BMS	(C) 291-000-175
Generic	(D) 291-000-052



CLIENT WIRING

Distribution Board

Temperzone OSA (RK) - Outdoor unit c/w UC7 Controller

Temperzone ISD-Indoor unit with EC motor controller & T/STAT SAT-2

NOTE 1
Remove any factory fitted link connected to SAT-2 terminal 'DI1', if using Remote On/Off control.

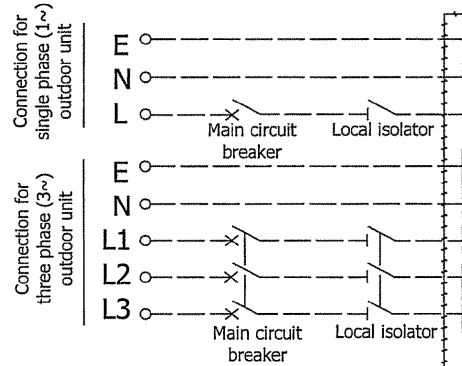
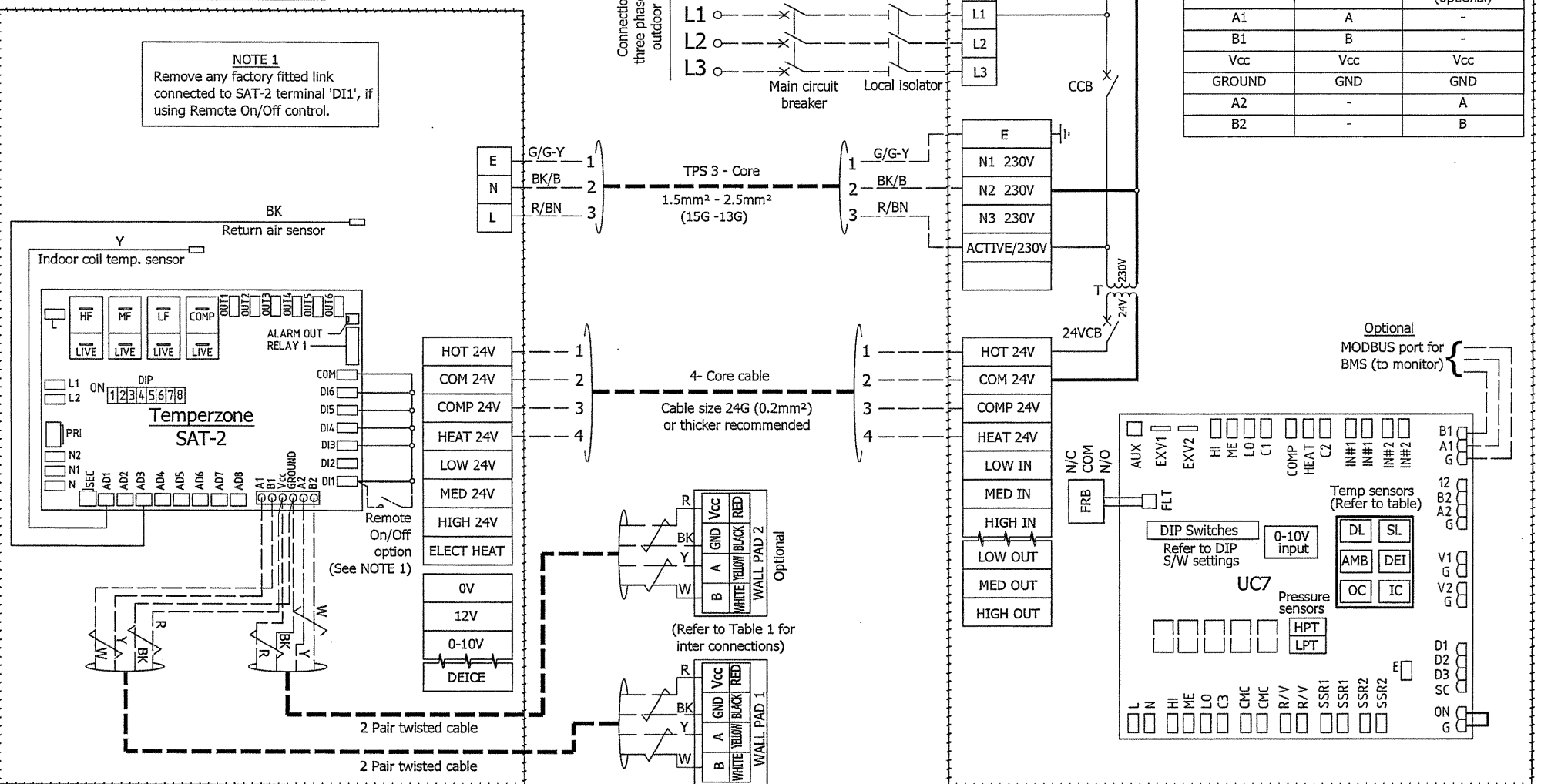


Table 1: Wall pad connection to T/STAT SAT-2

T/STAT SAT-2	Wall pad 1	Wall pad 2 (optional)
A1	A	-
B1	B	-
Vcc	Vcc	Vcc
GROUND	GND	GND
A2	-	A
B2	-	B



Optional
MODBUS port for
BMS (to monitor)

B TZT-100 Controller

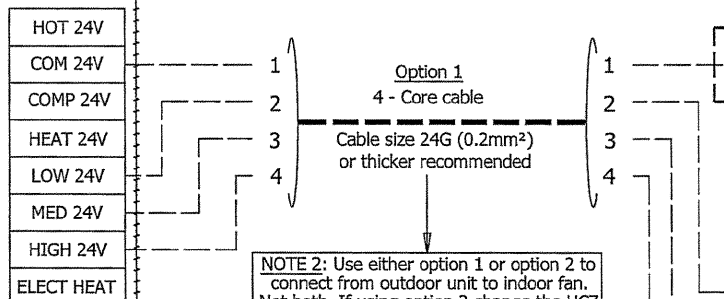
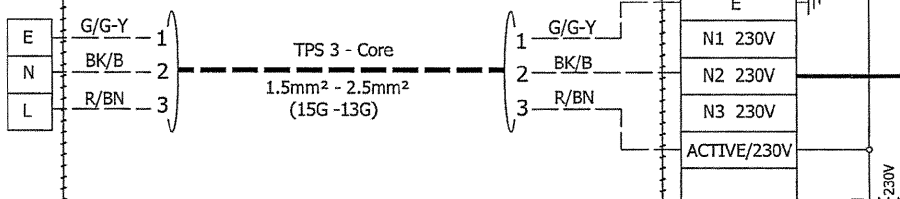
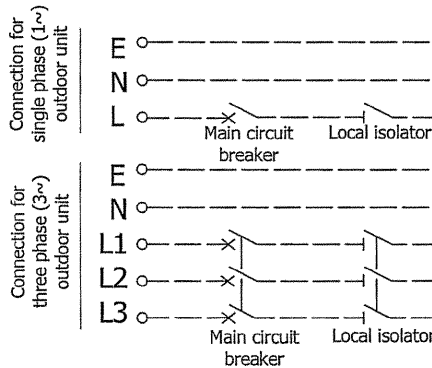
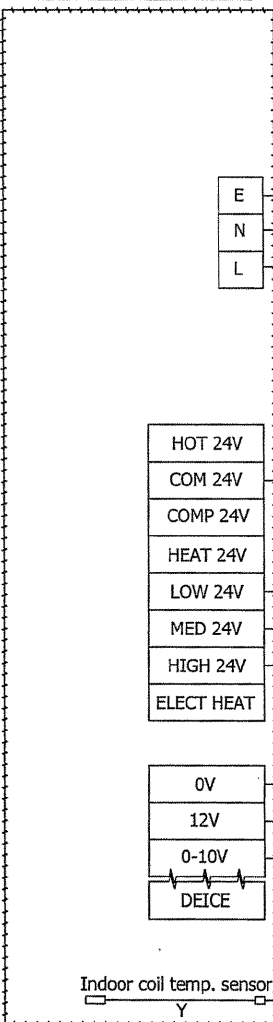


CLIENT WIRING

Distribution Board

Temperzone OSA (RK & RKG) - Outdoor unit c/w UC7 Controller

Temperzone ISD-Indoor unit with EC motor controller & without T/STAT



NOTE 2: Use either option 1 or option 2 to connect from outdoor unit to indoor fan. Not both. If using option 2 change the UC7 'DIP 6' setting to On.

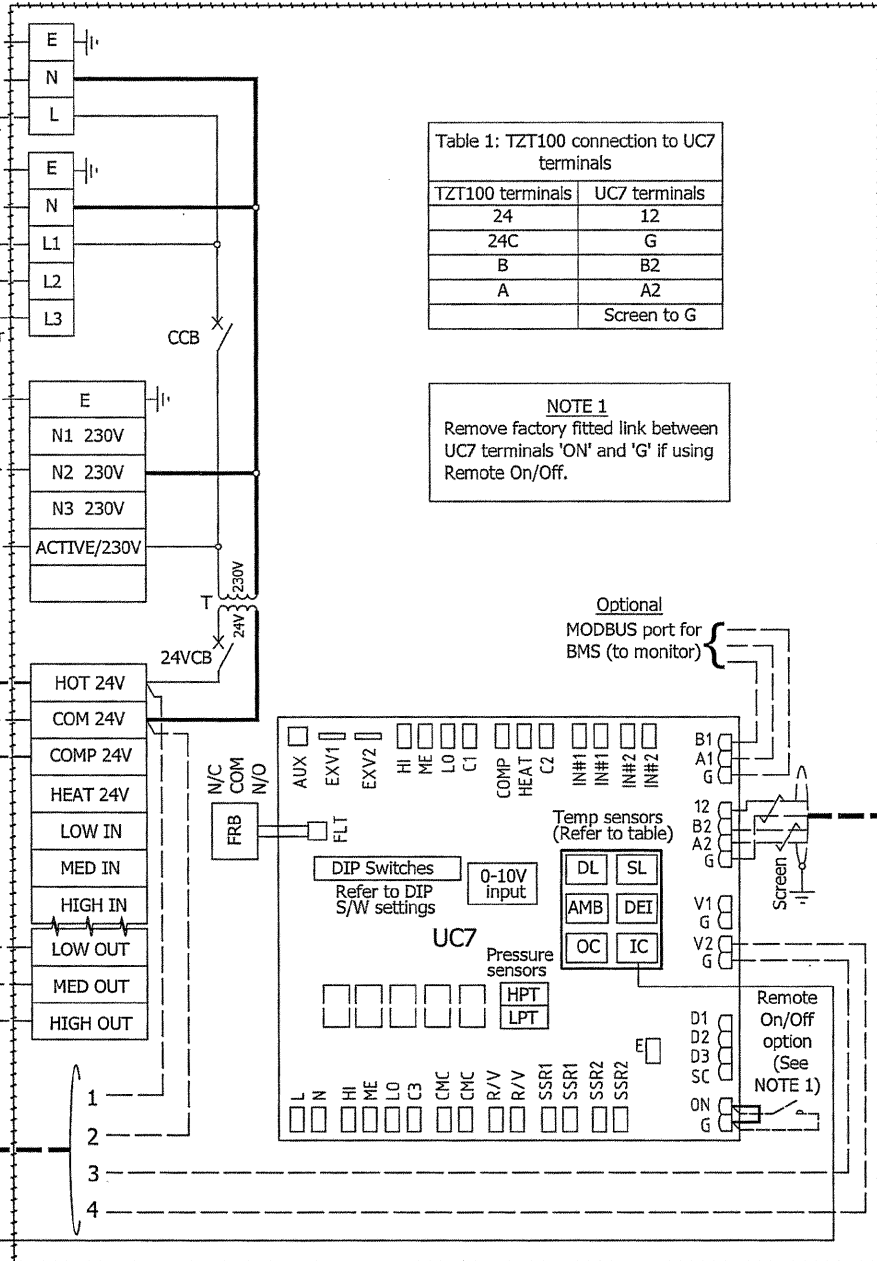
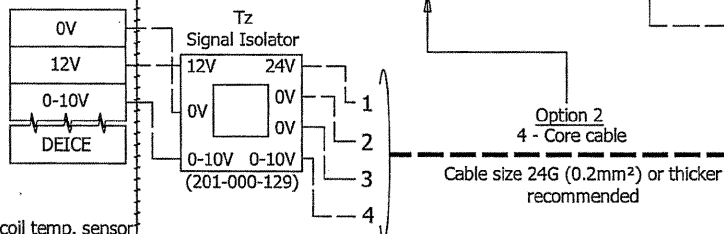


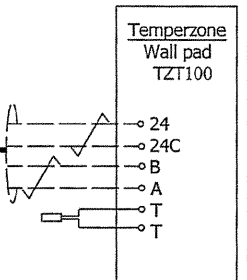
Table 1: TZT100 connection to UC7 terminals

TZT100 terminals	UC7 terminals
24	12
24C	G
B	B2
A	A2
	Screen to G

NOTE 1
Remove factory fitted link between UC7 terminals 'ON' and 'G' if using Remote On/Off.

Optional
MODBUS port for BMS (to monitor)

(Refer to Table 1 for connections)



NOTE 3
To connect TZT100 to unit use 2 pair twisted cable - screen grounded. (F/UTP 24G (0.2mm²) or thicker recommended)

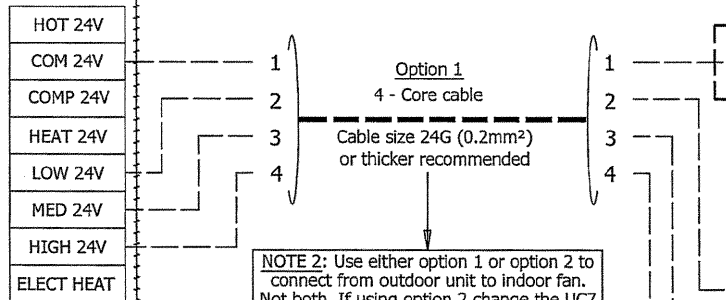
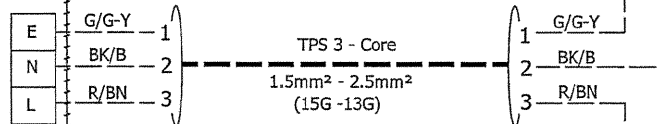
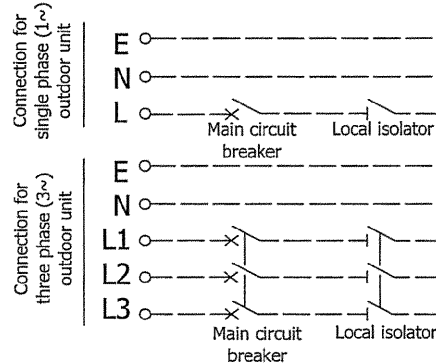
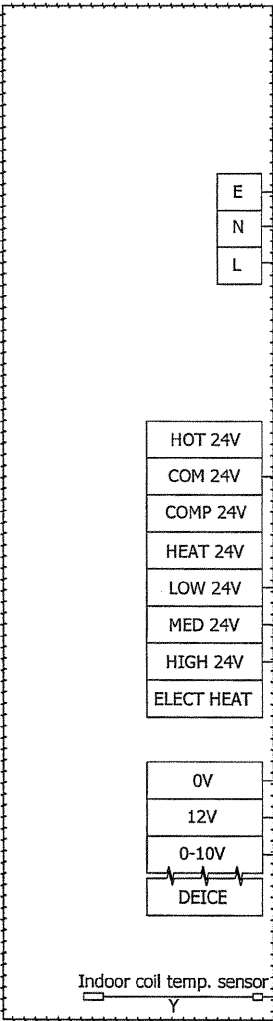


CLIENT WIRING

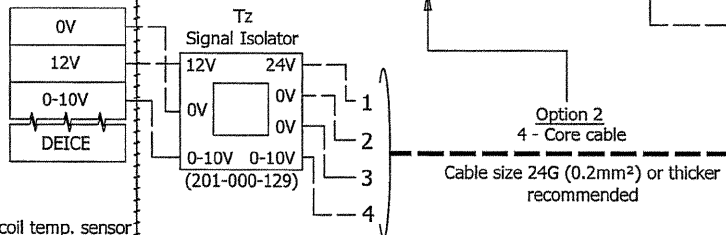
Distribution Board

**Temperzone
OSA (RK & RKG) - Outdoor unit c/w UC7 Controller**

**Temperzone
ISD-Indoor unit with
EC motor controller
& without T/STAT**



NOTE 2: Use either option 1 or option 2 to connect from outdoor unit to indoor fan. Not both. If using option 2 change the UC7 'DIP 6' setting to On.



Standard 25m extension cable (201-000-049) supplied with indoor unit

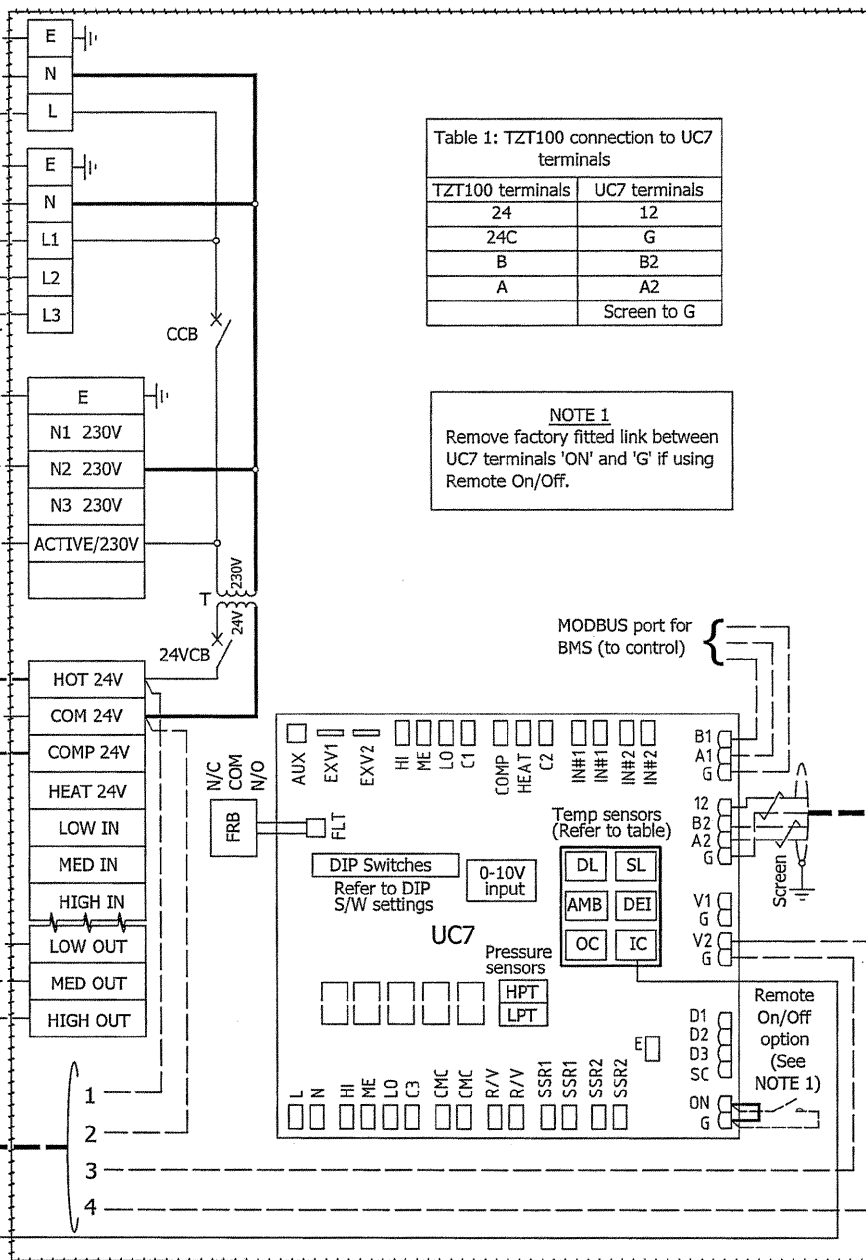
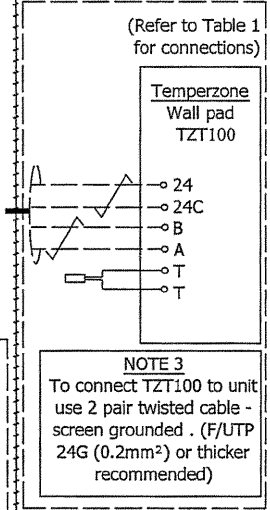


Table 1: TZT100 connection to UC7 terminals

TZT100 terminals	UC7 terminals
24	12
24C	G
B	B2
A	A2
	Screen to G

NOTE 1
Remove factory fitted link between UC7 terminals 'ON' and 'G' if using Remote On/Off.

Optional
TZT-100 for 'indication' only.
The BMS controls all operations



NOTE 3
To connect TZT100 to unit use 2 pair twisted cable - screen grounded. (F/UTP 24G (0.2mm²) or thicker recommended)

D Generic Controller



CLIENT WIRING

Distribution Board

Temperzone OSA (RK & RKG) - Outdoor unit c/w UC7 Controller

Temperzone
ISD-Indoor unit with
EC motor controller
& without T/STAT

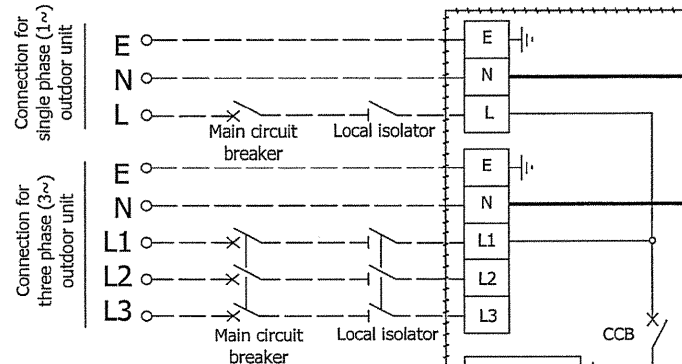
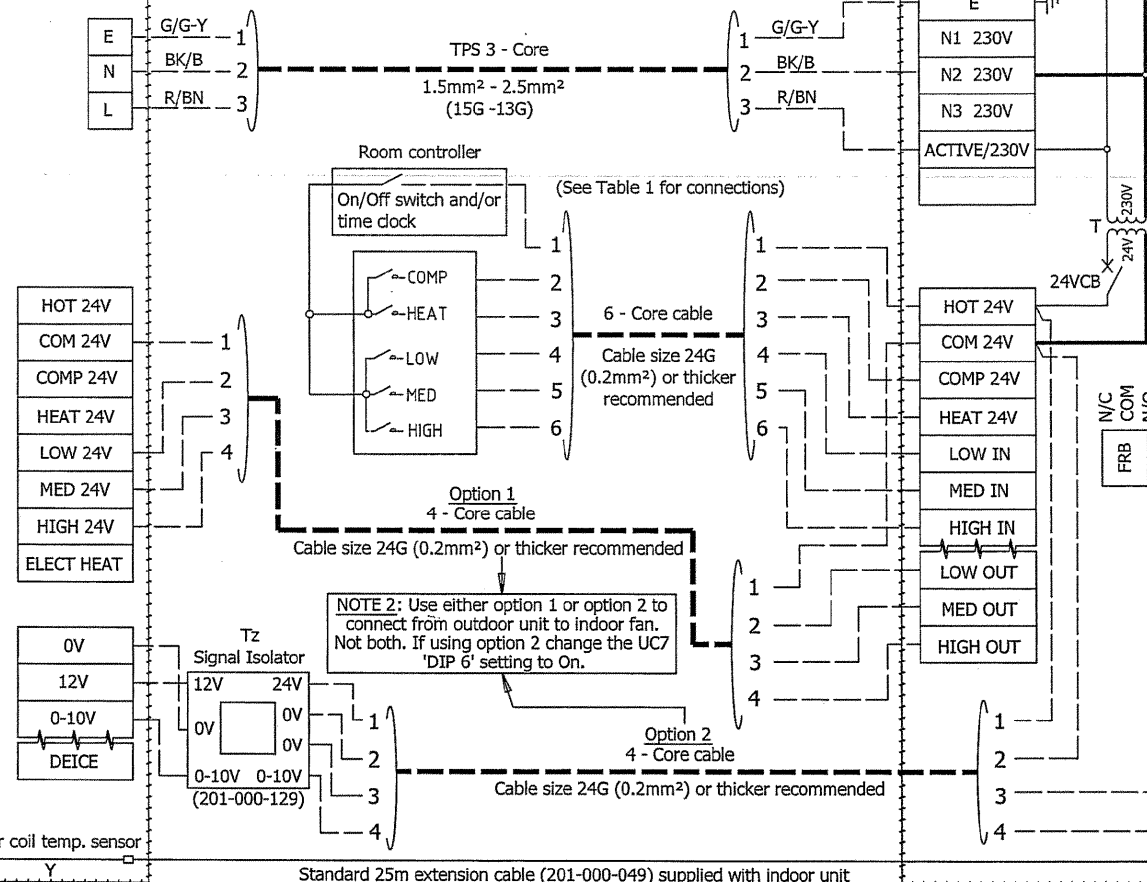


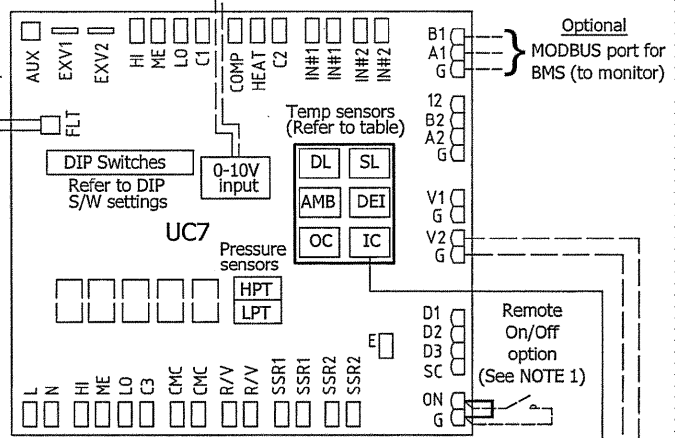
Table 1: Generic room controller connection to OSA terminals

Room controller	OSA terminal block
COMP	COMP 24V
HEAT	HEAT 24V
LOW	LOW IN
MED	MED IN
HIGH	HIGH IN
On/Off switch and/or time clock	HOT 24V

NOTE 1
Remove factory fitted link between UC7 terminals 'ON' and 'G' if using Remote On/Off.



Optional
For digital comp. units (RKG)
0-10V input option for compressor capacity signal. Required Tz part # 201000386



Indoor coil temp. sensor
Y

Standard 25m extension cable (201-000-049) supplied with indoor unit